



BELTCON

INDEX

1 | ABOUT US

2 | CAROUSEL

3 | CHECK-IN SYSTEMS

4 | STRAIGHT BELT
CONVEYORS

5 | CONTROL PANELS

6 | CONSULTING

7 | ENGINEERING

8 | SERVICES

ABOUT US

WELCOME TO BELTCON GMBH.
SPECIALIST FOR CONVEYING TECHNOLOGIES

BELTCON is a Germany based manufacturer of conveying systems. Modern and high-quality in-house manufacturing facility is located in Schneverdingen, Lower Saxony.

Our comprehensive product range include Baggage Carousels, Weighing & Dispatcher Conveyors, Straight Belt Conveyors and Control Panels. BELTCON also provide services for engineering, designing, fabrication and installation.

At BELTCON, we have implemented future-oriented CAD/CAM based manufacturing strategy. So, our products are designed and simulated in CAD software, based on customer requirements and directly headed towards a CAM based production process. This results in increasing efficiency of the manufacturing system and reducing lead time.

We design and manufacture our products in accordance with international quality standards and aim to contribute to a successful future of intra logistics industry globally.

OUR RANGE

BELTCON

CAROUSEL

At baggage reclaim area, Carousels are used to deliver checked luggage to the arrival passengers.

With a simple design and quality materials, BELTCON reclaim carousels are highly reliable, durable, configurable, require minimal cost-effective maintenance and can be fitted to any airport project.

CHECK-IN SYSTEMS

Strongly focused on the airport requirements, BELTCON offers customized, efficient and standardized check-in conveyor solution to optimize the passenger flow. Our solution consists of durable and high-quality stainless steel finished weighing and dispatcher conveyor to satisfy the modern airport requirements.

STRAIGHT BELT CONVEYORS

Straight belt conveyors are used to transport baggage's or material from one location to another. BELTCON offers standard and customized conveyor solutions to satisfy the material handling requirements for various industries.

CONTROL PANELS

BELTCON offers Design, Engineering, Fabrication, Installation, Testing, Commissioning and Services of panels. Our longtime experienced engineers guarantee customer satisfaction.

WE PROVIDE SERVICES FOR:

- » Automation & PLC Control panels
- » Motor Control Center (MCC) Panels

CONSULTING

- » Project Management
- » Mechanical system layout
- » Electrical and Control-Layout
- » System Integration

ENGINEERING

- » Mechanical
- » Electrical
- » Controls

SERVICES

- » Maintenance
- » Repair
- » Spare parts supply

BAGGAGE CAROUSELS

CUSTOMIZED TO YOUR SIZE & SHAPE REQUIREMENTS

BAGGAGE CAROUSELS

AT BAGGAGE RECLAIM AREA, CAROUSELS ARE USED TO DELIVER CHECKED LUGGAGE TO THE ARRIVAL PASSENGERS.

With a simple design and quality materials, BELTCON reclaim carousels are highly reliable, durable, configurable, require minimal cost-effective maintenance and can be fitted to any airport project.

OUR MODEL FEATURES:

- » Easy Installation
- » Minimal Maintenance
- » Modular Design
- » Mild or Stainless Steel finish
- » Low Noise
- » Variable Speed (optional)
- » Designs and Dimensions can be customized – e.g. U-, O -, L-, T-Shapes





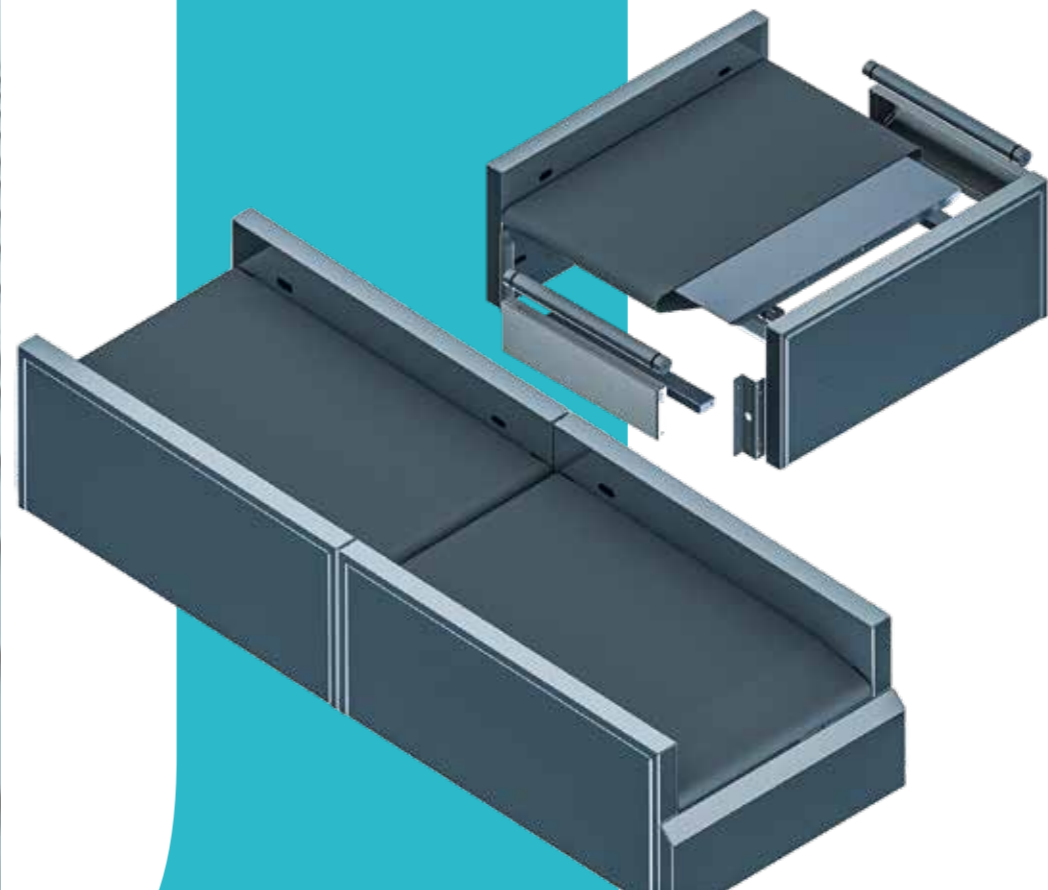
CHECK-IN SYSTEMS

RELIABLE QUIET OPERATION & EASY MAINTENANCE

CHECK-IN SYSTEMS

WEIGHING SCALE & DISPATCHER

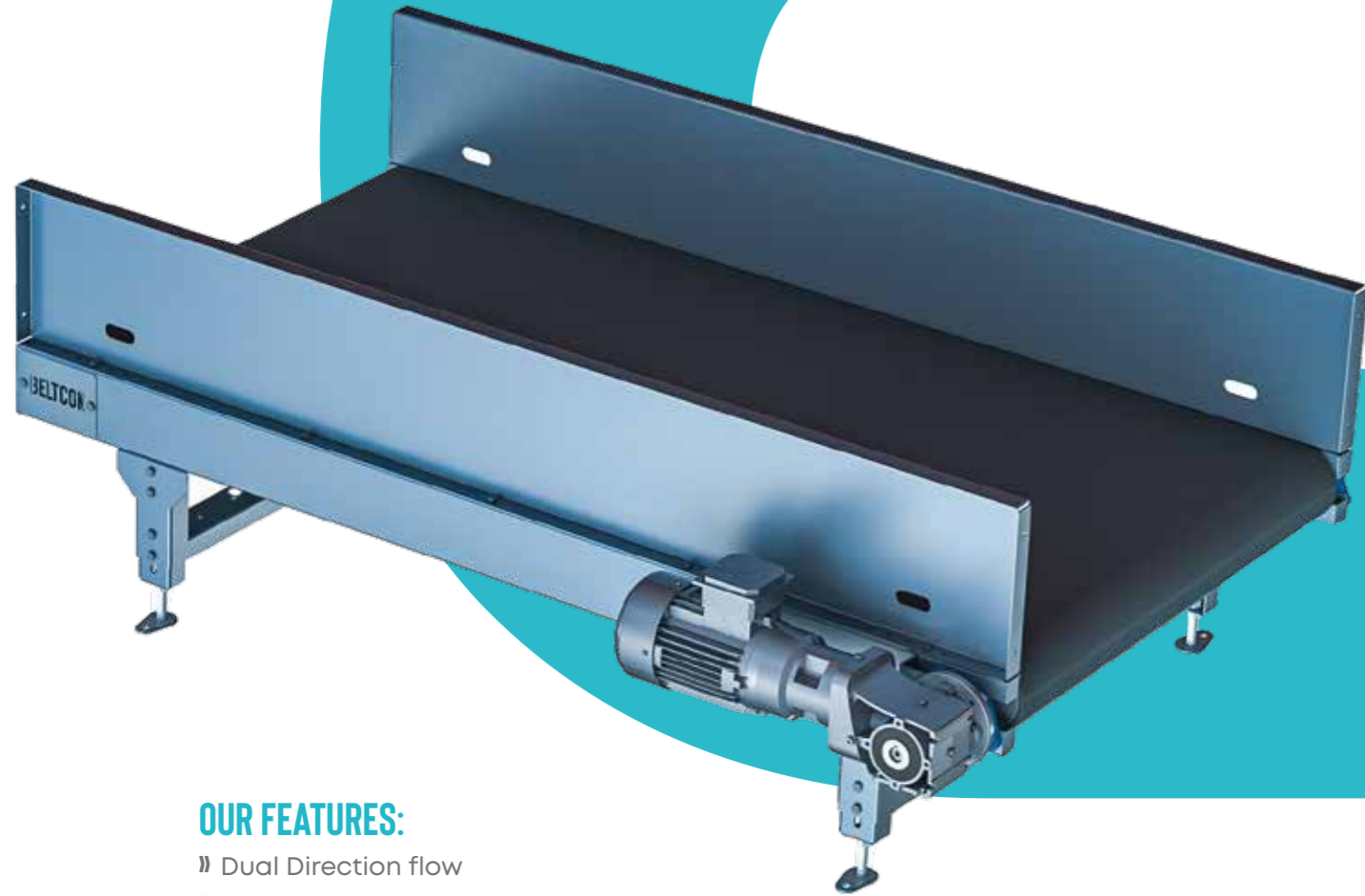
Strongly focused on the airport requirements, BELTOON offers customized, efficient and standardized check-in conveyor solution to optimize the passenger flow. Our solution consists of durable and high-quality stainless steel finished weighing and dispatcher conveyor to satisfy the modern airport requirements.



OUR CONVEYOR FEATURES:

- » Single or Double unit of check-in conveyor
- » Minimal Maintenance and Easy Replacement
- » Configurable Sizes
- » Standard and OOG Baggage
- » Efficient and Durable
- » Stainless Steel cladding
- » Designs and Dimensions can be customized

STRAIGHT BELT CONVEYORS



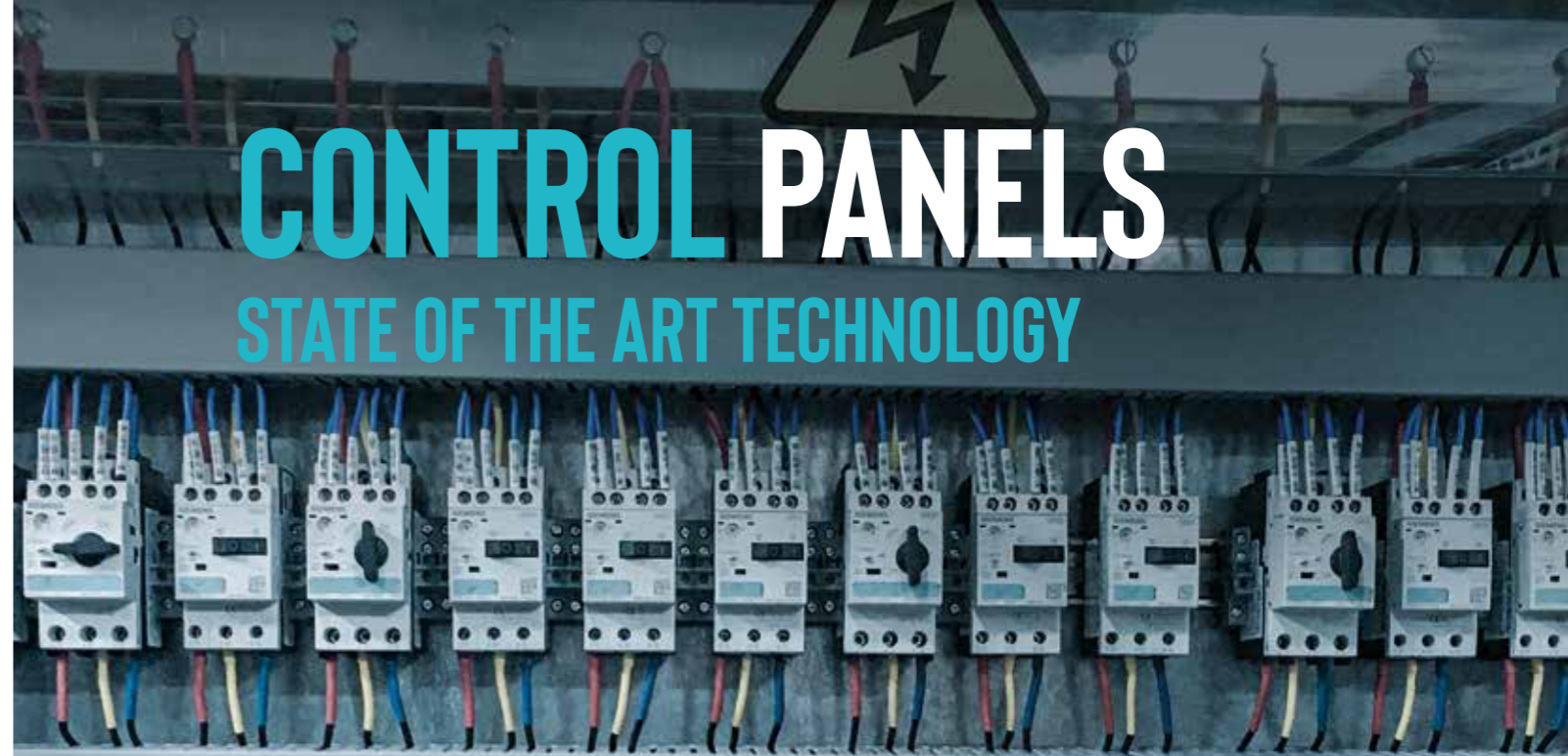
OUR FEATURES:

- » Dual Direction flow
- » Customized configurations for Height and Width
- » Variable Speed options
- » Modular Design
- » Side protection guards (optional)
- » Easy Maintenance

CONVEYORS

Straight belt conveyors are used to transport baggage's or material from one location to another. BELTCON offers standardized and customized straight conveyor solutions to satisfy the material handling requirements for various industries.





CONTROL PANELS

STATE OF THE ART TECHNOLOGY

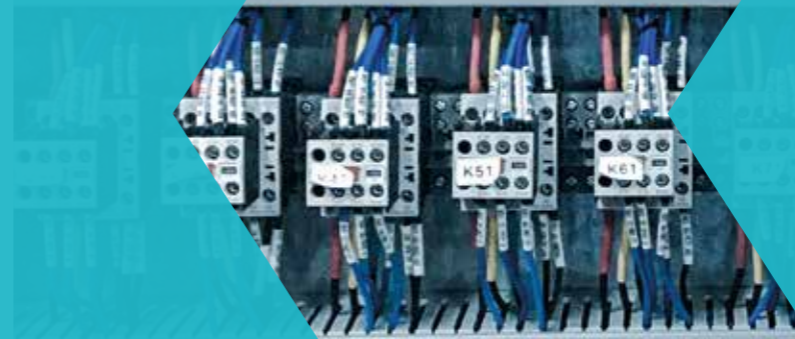
CONTROL PANELS


BELTCON offers Design, Engineering, Fabrication, Installation, Testing, Commissioning and Services of panels.

Our longtime experienced engineers guarantee customer satisfaction.

WE PROVIDE SERVICES FOR:

- » Automation & PLC Control panels
- » Motor Control Center (MCC) Panels





CONSULTING ENGINEERING SERVICES

CONSULTING

BELTCON offers reliable and cost-effective consultancy services for Electro-Mechanical projects. Together with our customer, we develop future-oriented solutions that helps to improve the overall performance and efficiency of the system.

ENGINEERING

BELTCON offers standard & tailored Engineering services from planning, designing to successful implementation of the projects. Our qualified and highly experienced team work closely with the clients for personalised strategies, innovative solutions and to simplify the complicated requirements.

SERVICES

To ensure the smooth operation, our qualified service team provides repairing and spare part services worldwide. We ensure quick and reliable maintenance, professional repairing and spare part service to maximize the output of the process.



BELTCON

BELTCON GMBH

Hemsener Weg 87a

29640 Schneverdingen · Germany

info@beltcon.de

Phone: +49 5193 8054 060

www.beltcon.de